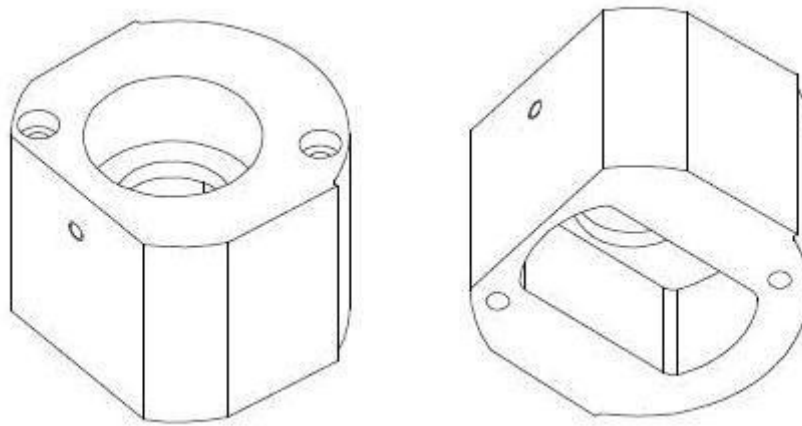


## **DLi Optics Adapter**

The DLi Optics Adapter is a fiber optic lightpipe adapter that fits to the S2+/S3x Optics Modules and is designed to encase an Edmund Optics interior coupling with variable diameter sizes. The interior coupling gives the user the flexibility to choose from a multitude of fiber optic diameters ranging from .191" to .629". The fiber optic light guide adapter is machined aluminum and designed for longevity and durability.

Edmund Optics interior coupling can be found at:

<http://www.edmundoptics.com/onlinecatalog/DisplayProduct.cfm?productid=2112>



**To purchase, please call Digital Light Innovations Sales at (512) 617-4713 or e-mail [Sales@dlinnovations.com](mailto:Sales@dlinnovations.com)**